

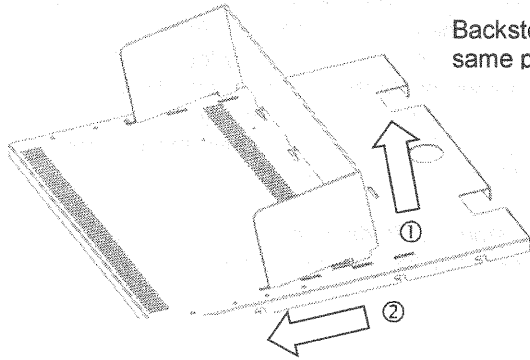
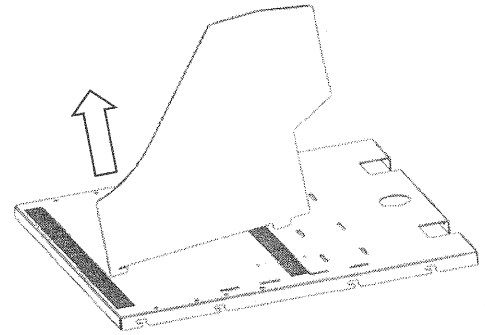
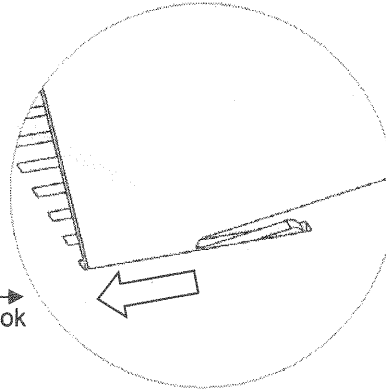
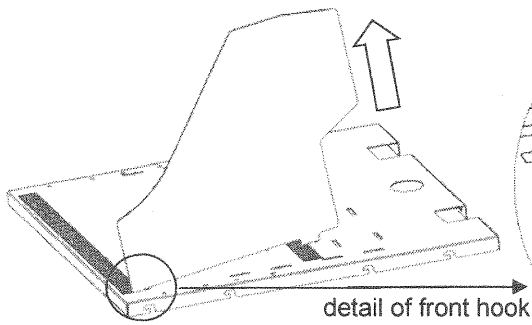
DS-NETVAULT-IP INSTRUCTIONS

LOADING POWER SUPPLIES The first step is to clear the shelves of dividers and backstops to gain access to the powerstrips in the back. The divider and backstop are built similarly, with a hook in the front slot. Removing (and reinstalling) both are one-two-three-step motions: ① lift up on the back, clearing the back tab; ② slide toward you; ③ lift up on the front hook, clearing the whole piece.

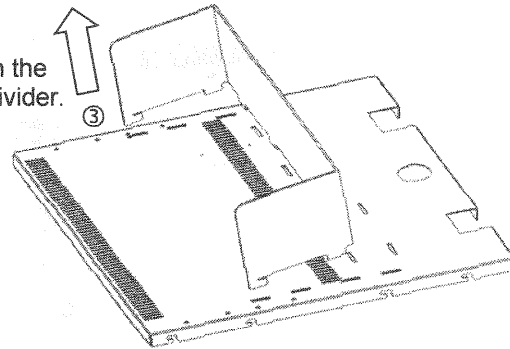
① Lift up on the back, clearing the back tab.

② Slide toward you.

③ Lift up on the front hook, clearing the whole piece.

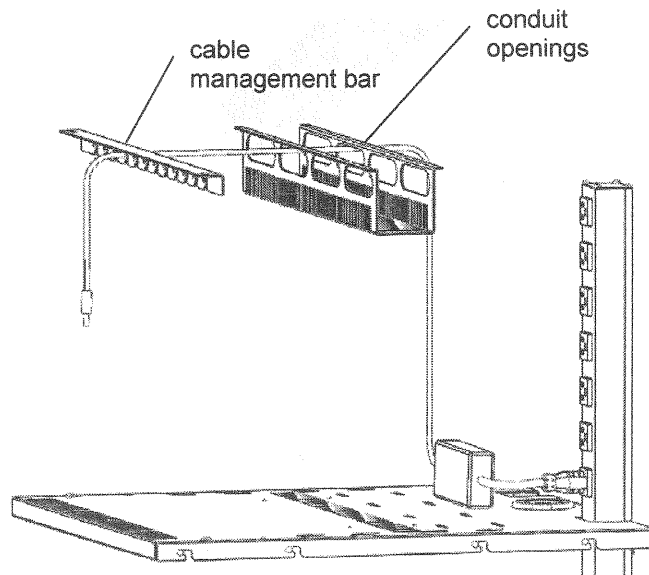
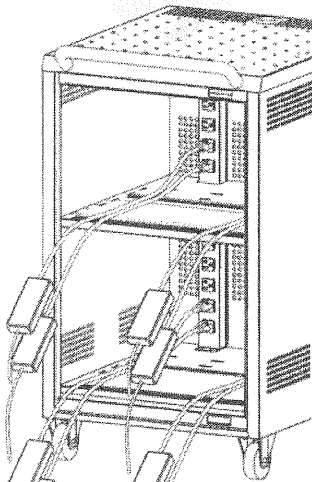


Backstop is removed in the same process as the divider.

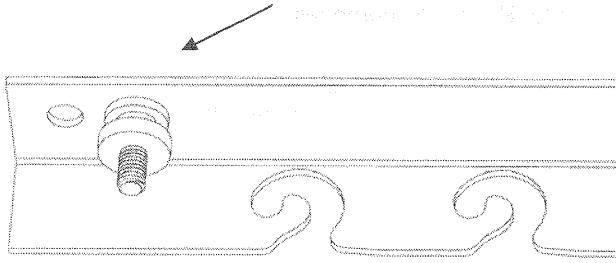


Load power supplies on the lower two outlets on top and bottom shelves. In the NETVAULT-IP-40, outlets may be configured with multi-outlet extenders to accommodate a larger number of iPads. Load the bottom two receptacles first, as these will be located behind the backstop when it is installed.

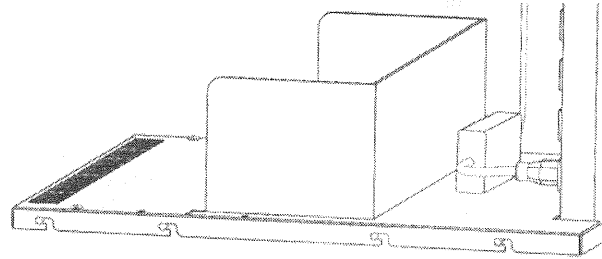
Then, run the cords for chargers on these lower receptacles through the conduit openings above each shelf and hook them in place on the cable management bar.



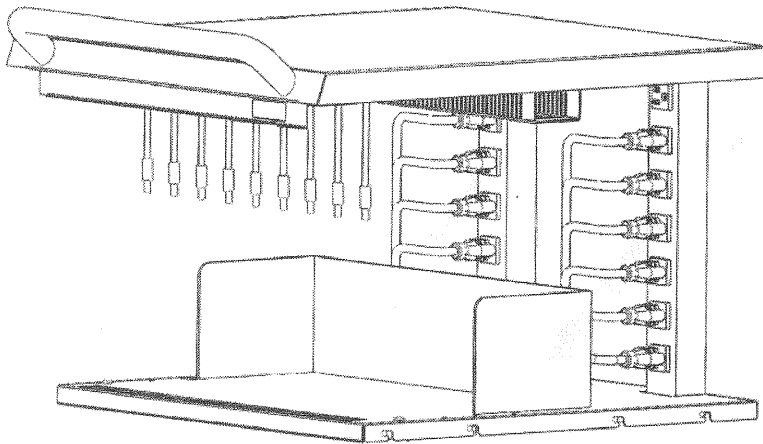
The cable management bar was installed at the factory in the most forward position. If need be, it can be adjusted back using the thumbscrews.



Reinstall the backstop in the position best suited for you application. That is, farthest forward for small netbooks and farthest back for large notebooks. Installing the dividers is a two-step motion: ① insert the front hook-tab; ② slide back and insert back tab.



Complete the wiring, placing the power supplies behind the backstop.



Load the first divider on the far right in the last slot on the right. To store 20 iPads on a shelf, dividers will be spaced every four (4) slots. In other words, to the left of the first divider, leave three (3) slots empty and place the second divider in the next slot. Repeat this until the shelf is filled (with 20 openings).

To store 40 iPads (in a DS-NETVAULT-IP-40), repeat this for the other shelf.



Installing the dividers is a one-two-three-step motion: ① insert top edge in top guide; ② insert front hook-tab; ③ slide back and insert back tab.

